

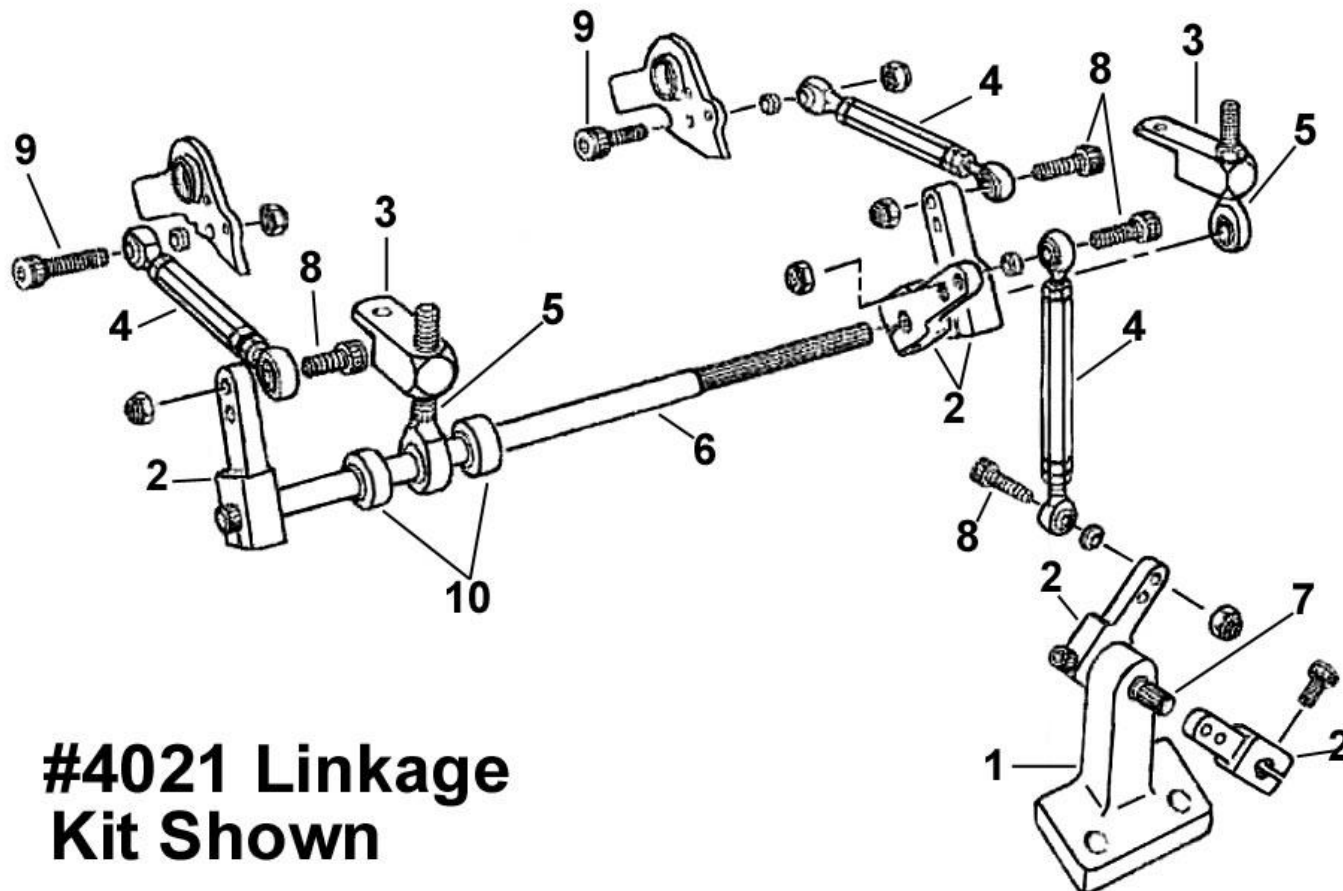


## Throttle Linkage Kits for Side-Mount Carburetors P/N 4021, 4022, 4023, 4025, 4027, & 4032

NOTE: Linkage rods may be positioned on either side of the lever arms.

NOTE: Linkage kit #4021 is shown. Other linkage kits are similar.

Item #	Qty	Description
1	(1)	Manifold Bracket
2	(5)	Splined Lever Arms
3	(2)	Linkage Support Bracket
4	(3)	Aluminum Hex Shaft -(2) 4" & (1) 3"
5	(2)	Male Rod Ends
6	(1)	5/16 x 12" Splined Shaft
7	(1)	5/16 x 1 3/4" Splined Shaft
8	(4)	10-32 x 7/8" Socket Head Cap Screws
9	(2)	10-32 x 1" Socket Head Cap Screws
10	(2)	I.D. Locking Collars



Weiand® Air Systems  
1801 Russellville Road  
Bowling Green, KY 42101

Technical Service: 270-781-9741

### #4021 Linkage Kit Shown

W527

Revision Date: 10-9-12